

# SUPERIOR CLEANING



**Ergonomic  
design**



**Low water  
consumption**



**Large  
opening**



**Low electricity  
consumption**

## FEATURES

- ✓ Rigid mounted, normal spin, 100 G
- ✓ Stainless steel top panel, anthracite grey front and side panels
- ✓ Stainless steel drum and tub
- ✓ Basic control – easy to use microprocessor
- ✓ Patented soap hopper
- ✓ Large drain valve (Ø76mm)
- ✓ Easy access to all vital parts from the front
- ✓ Large door opening for easy loading and unloading



## OPTIONS

- Professional control – fully programmable
- Coin-operated timer (CPS)
- Stainless steel front and side panels
- USB plug (on the back panel)
- Liquid Soap Print – liquid soap connection
- Liquid soap pumps
- Water recovery kit
- Steam heating version
- Drain pump (LS80)
- 175 G-factor execution
- 7 mm drum holes
- Automatic door opening in case of power failure

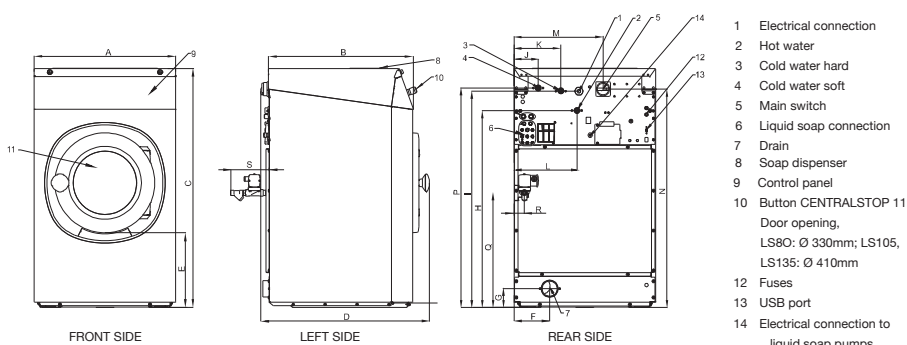


# SUPERIOR CLEANING

# DIMENSIONS & SPECIFICATIONS

<b>INNER DRUM</b>	Max. capacity 1:9	<b>kg</b> 15
	Capacity 1:10	<b>kg</b> 14
	Volume	<b>litres</b> 135
	Diameter	<b>mm</b> 620
<b>DRUM SPEED</b>	Wash speed	<b>rpm</b> 46
	Extraction speed	<b>rpm</b> 540 (100G) - 645 (175G)
	G-factor speed	100 (optional 175)
<b>HEATING</b>	Electricity (standard)	<b>kW</b> 12
	Steam	<b>bar</b> 1-8
	Hot water	<b>°C</b> 90
	Sound pressure level	<b>dB (A)</b> <65
	Water valves connection	<b>BSP</b> ¾"
	Water pressure	<b>kPa</b> 100-800
	Rec. water pressure	<b>kPa</b> 300-500
	Water inlet	<b>litres/min.</b> 20
	Drain valve (outer Ø)	<b>mm</b> 76
	Flow amount with drain valve	<b>litres/min.</b> 210
	Steam valve connection	<b>BSP</b> ½"
	Steam pressure	<b>kPa</b> 100-800
<b>DIMENSIONS</b>	Size HxWxD	<b>mm</b> 1225x750x900
	Net weight	<b>kg</b> 190
<b>TRANSPORT DATA</b>	Bruto weight	<b>kg</b> 200
	Packing dimensions HxWxD	<b>mm</b> 1355x800x950

Standard = Standard version.



	A	B	C	D	E	F	G	H	I	J	K	L	M	N	P	Q	R	S
LS80	660	785	1115	676	349	166	88	920	1010	113	218	293	415	1020	1025	535	48	180
LS105	750	785	1225	676	342	225	98	1030	1120	113	218	338	505	1130	1135	480	42	192
LS135	750	900	1225	788	342	225	98	1030	1120	113	218	338	505	1130	1135	480	42	192
	width	depth	height															

