

# SUPERIOR CLEANING



Ergonomic  
design



Low water  
consumption



Large  
opening



Low electricity  
consumption

## FEATURES

- ✓ Rigid mounted, normal spin, 100 G
- ✓ Stainless steel top panel, anthracite grey front and side panels
- ✓ Stainless steel drum and tub
- ✓ Basic control – easy to use microprocessor
- ✓ Patented soap hopper
- ✓ High capacity water inlets (LS280)
- ✓ Large drain valve (Ø76mm)
- ✓ Easy access to all vital parts from the front
- ✓ Large door opening for easy loading and unloading



## OPTIONS

- Professional control – fully programmable
- Coin-operated timer (CPS)
- Stainless steel front and side panels
- USB plug (on the back panel)
- Liquid Soap Print – liquid soap connection
- Liquid soap pumps
- Water recovery kit
- Steam heating version
- High capacity water inlets (LS180 – LS240)
- 175 G-factor execution
- 7 mm drum holes (LS180 - LS240)
- Automatic door opening in case of power failure

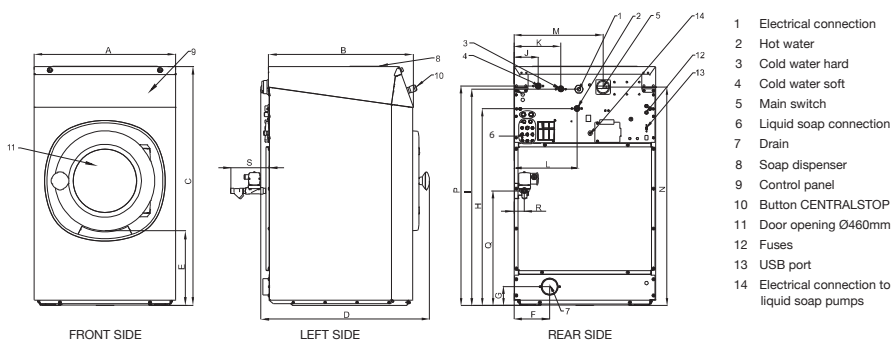


# SUPERIOR CLEANING

## DIMENSIONS & SPECIFICATIONS

<b>INNER DRUM</b>	Max. capacity 1:9	<b>kg</b> 27
	Capacity 1:10	<b>kg</b> 24
	Volume	<b>litres</b> 240
	Diameter	<b>mm</b> 750
<b>DRUM SPEED</b>	Wash speed	<b>rpm</b> 42
	Extraction speed	<b>rpm</b> 490 (100G) - 645 (175G)
	G-factor speed	100 (optional 175)
<b>HEATING</b>	Electricity (standard)	<b>kW</b> 18
	Steam	<b>bar</b> 1-8
	Hot water	<b>°C</b> 90
	Sound pressure level	<b>dB (A)</b> <65
	Water valves connection	<b>BSP</b> ¾"
	Water pressure	<b>kPa</b> 100-800
	Rec. water pressure	<b>kPa</b> 300-500
	Water inlet	<b>litres/min.</b> 20
	Drain valve (outer Ø)	<b>mm</b> 76
	Flow amount with drain valve	<b>litres/min.</b> 210
	Steam valve connection	<b>BSP</b> ½"
	Steam pressure	<b>kPa</b> 100-800
<b>DIMENSIONS</b>	Size HxWxD	<b>mm</b> 1410x890x1060
	Net weight	<b>kg</b> 275
<b>TRANSPORT DATA</b>	Bruto weight	<b>kg</b> 290
	Packing dimensions HxWxD	<b>mm</b> 1550x925x1130

Standard = Standard version.



	A	B	C	D	E	F	G	H	I	J	K	L	M	N	P	Q	R	S
LS180	890	915	1410	815	465	280	130	1212	1297	113	218	303	625	1270	1317	528	54	120
LS240	890	1060	1410	960	465	280	130	1212	1297	113	218	303	625	1270	1317	528	54	120
LS280	890	1135	1410	1035	465	280	130	1212	1297	113	218	303	625	1270	1317	528	54	120
	width	depth	height															

