

# SUPERIOR CLEANING



Ergonomic  
design



Low water  
consumption



Large  
opening



Low electricity  
consumption

## FEATURES

- ✓ Rigid mounted, normal spin
- ✓ Stainless steel top panel, anthracite grey front and side panels
- ✓ Stainless steel drum and tub
- ✓ Basic control – easy to use microprocessor
- ✓ Patented soap hopper
- ✓ High capacity water inlets
- ✓ Large drain valves (2 x Ø76mm)
- ✓ Large door opening for easy loading and unloading



## OPTIONS

- Professional control – fully programmable
- Coin-operated timer
- Stainless steel front and side panels
- USB plug (on the back panel)
- Liquid Soap Print – liquid soap connection
- Liquid soap pumps
- Water recovery kit
- Steam heating version
- 3rd water inlet
- 150 G-factor execution (LS350)
- Automatic door opening in case of power failure

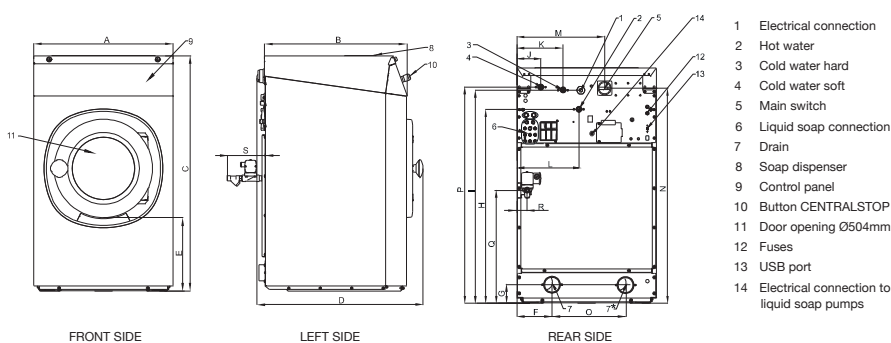


# SUPERIOR CLEANING

# DIMENSIONS & SPECIFICATIONS

<b>INNER DRUM</b>	Max. capacity 1:9	<b>kg</b> 37
	Capacity 1:10	<b>kg</b> 35
	Volume	<b>litres</b> 332
	Diameter	<b>mm</b> 914
<b>DRUM SPEED</b>	Wash speed	<b>rpm</b> 38
	Extraction speed	<b>rpm</b> 440 (100G) - 540 (150G)
	G-factor speed	100 (optional 150)
<b>HEATING</b>	Electricity (standard)	<b>kW</b> 27
	Steam	<b>bar</b> 1-8
	Hot water	<b>°C</b> 90
	Sound pressure level	<b>dB (A)</b> <65
	Water valves connection	<b>BSP</b> 3/4"
	Water pressure	<b>kPa</b> 100-800
	Rec. water pressure	<b>kPa</b> 300-500
	Water inlet	<b>litres/min.</b> 66-188
	Drain valve (outer Ø)	<b>mm</b> 2x76
	Flow amount with drain valve	<b>litres/min.</b> 2x210
	Steam valve connection	<b>BSP</b> 3/4"
	Steam pressure	<b>kPa</b> 100-800
<b>DIMENSIONS</b>	Size HxWxD	<b>mm</b> 1500x1060x1030
	Net weight	<b>kg</b> 410
<b>TRANSPORT DATA</b>	Bruto weight	<b>kg</b> 425
	Packing dimensions HxWxD	<b>mm</b> 1625x1088x1060

Standard = Standard version.



	A	B	C	D	E	F	G	H	I	J	K	L	M	N	P	Q	R	S	T
LS350	1060	1030	1500	936	465	318	120	1326	1366	113	248	383	671	1349	1413	528	66	145	482
LS520	1060	1315	1500	1221	465	318	120	1414	1374	88	223	363	671	1349	1413	528	66	145	482
	width	depth	height																

