

SUPERIOR CLEANING



**Ergonomic
design**



**Low water
consumption**



**Large
opening**



**Low electricity
consumption**

FEATURES

- ✓ Rigid mounted, normal spin
- ✓ Stainless steel top panel, anthracite grey front and side panels
- ✓ Stainless steel drum and tub
- ✓ Basic control – easy to use microprocessor
- ✓ Patented soap hopper
- ✓ High capacity water inlets
- ✓ Large drain valves (2 x Ø76mm)
- ✓ Large door opening for easy loading and unloading



OPTIONS

- Professional control – fully programmable
- Coin-operated timer
- Stainless steel front and side panels
- USB plug (on the back panel)
- Liquid Soap Print – liquid soap connection
- Liquid soap pumps
- Water recovery kit
- Steam heating version
- 3rd water inlet
- 150 G-factor execution (LS350)
- Automatic door opening in case of power failure

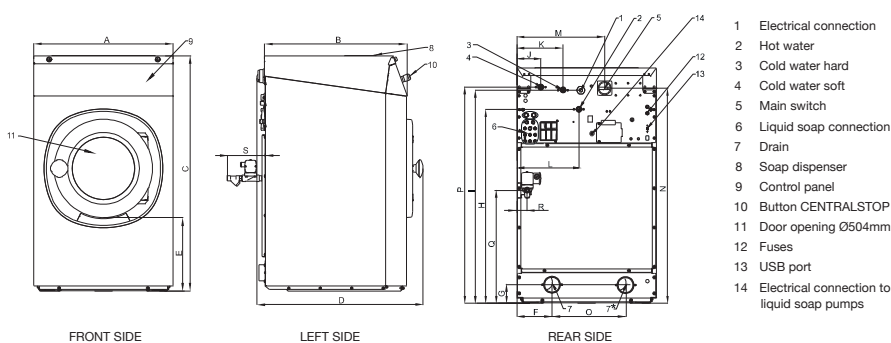


SUPERIOR CLEANING

DIMENSIONS & SPECIFICATIONS

INNER DRUM	Max. capacity 1:9	kg 58
	Capacity 1:10	kg 52
	Volume	litres 520
	Diameter	mm 914
DRUM SPEED	Wash speed	rpm 38
	Extraction speed	rpm 440
	G-factor speed	100
HEATING	Electricity (standard)	kW 40.6
	Steam	bar 1-8
	Hot water	°C 90
	Sound pressure level	dB (A) <65
	Water valves connection	BSP 1"
	Water pressure	kPa 100-800
	Rec. water pressure	kPa 300-500
	Water inlet	litres/min. 183-518
	Drain valve (outer Ø)	mm 2x76
	Flow amount with drain valve	litres/min. 2x210
	Steam valve connection	BSP ¾"
	Steam pressure	kPa 100-800
DIMENSIONS	Size HxWxD	mm 1500x1060x1315
	Net weight	kg 520
TRANSPORT DATA	Bruto weight	kg 535
	Packing dimensions HxWxD	mm 1625x1088x1345

Standard = Standard version.



	A	B	C	D	E	F	G	H	I	J	K	L	M	N	P	Q	R	S	T
LS350	1060	1030	1500	936	465	318	120	1326	1366	113	248	383	671	1349	1413	528	66	145	482
LS520	1060	1315	1500	1221	465	318	120	1414	1374	88	223	363	671	1349	1413	528	66	145	482
	width	depth	height																

